

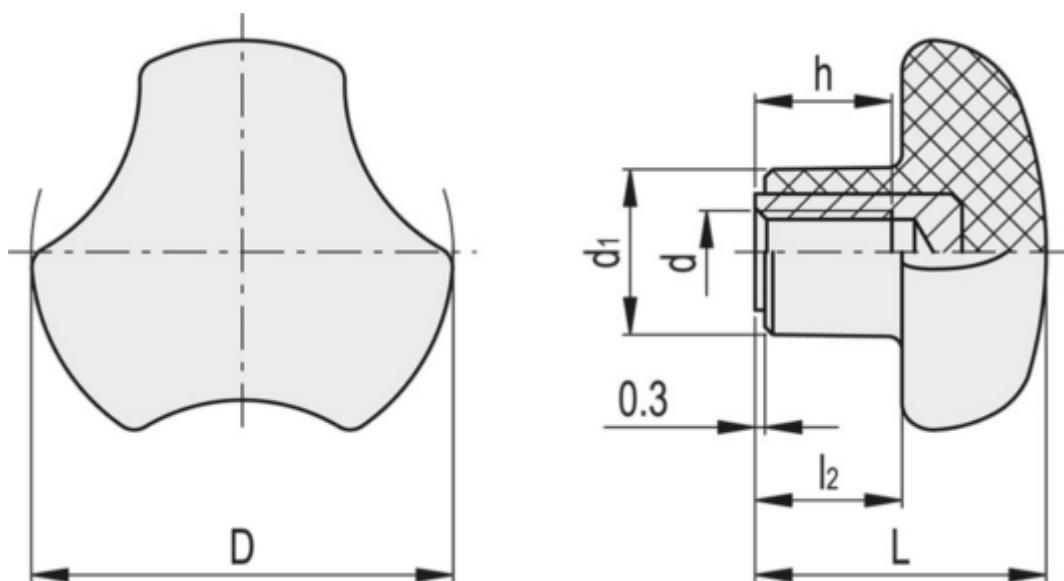
# Data Sheet



Article number: 2302151782

Description: Lobe knob  
VTT.50-SST-M10 CLEAN

## Measures



D	= 50
D1	= 19
DH	= M10
h	= 17
l2	= 15
L	= 30
Weight in (g)	= 37